

# Mini art swap

## Brief:

Produce a work of art on the theme of Depth and Form.

## Medium:

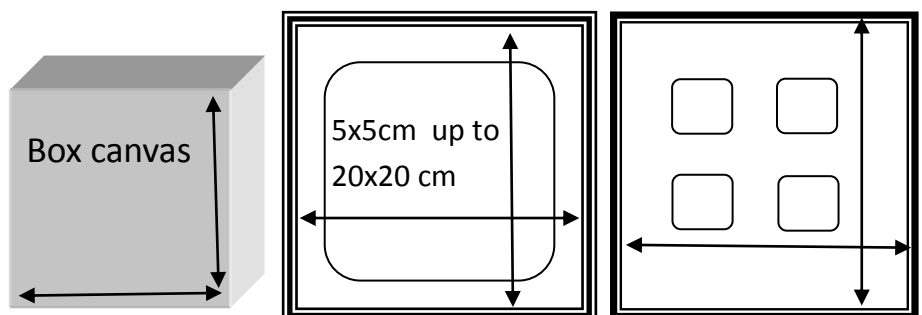
Work can be produced in any media, except digital reproductions. Digital art may form part, but not all of the completed work.

## Size:

Completed work should be no larger than 8 x 8" or 20 x 20cm (this should include the frame aperture, but not outer size of frame.)

Completed work should be no smaller than 2 x 2" or 5 x 5cm.

Completed work submitted may include many smaller works as long as the total size is no larger or smaller than above.



## Submission deadline:

Completed work (ready to hang) must be submitted during your lesson the week beginning:

## Completed work:

All work should include your name, medium and date on the reverse.

All work submitted must be ready to hang. Either in a frame or with suitable fixings. Work submitted as completed in an unprofessional manner will NOT be accepted.